

## Semi-Split Shaft Collars

Stainless Steel, with Flange Holes

### SPECIFICATION

#### Types

- Type **A**: With two through holes
- Type **B**: With two countersunk holes for socket cap screws
- Type **C**: With two tapped holes

Stainless steel AISI 316LHC **NI**

Sintered

Socket cap screw DIN 912

Stainless steel AISI 304

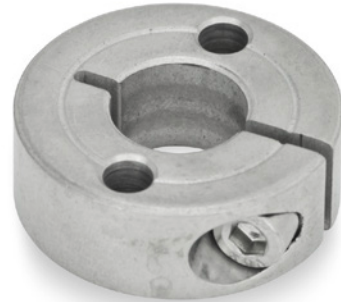
### INFORMATION

With semi-split shaft collars GN 7062.2, e.g., axles are attached to housing, or wheels and washers are installed on shafts.

They can be assembled safely and easily with a high clamping force by reducing the slot height, without damaging the surface of shafts and axles.

The thread  $d_3$  for sizes  $d_1 = 30$  to  $36$  is designed as a through hole; for sizes  $d_1 = 42$  and larger, it is designed as blind hole.

- List of Shaft Collar Types (see page )

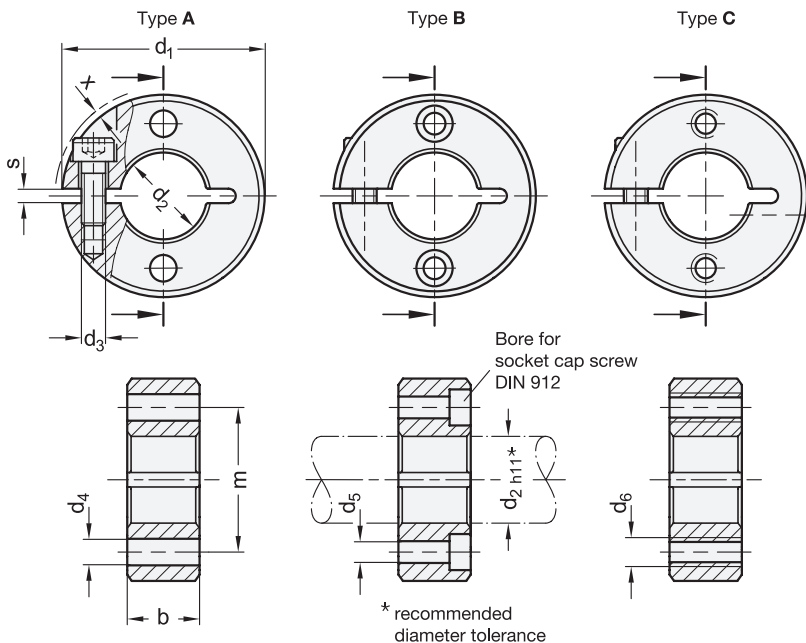


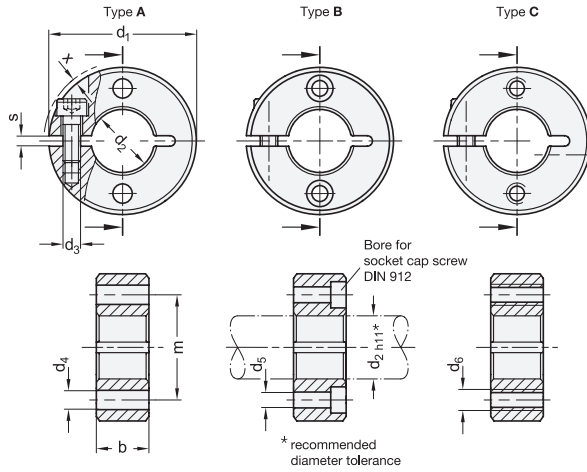
### ACCESSORY

- Adjustable Hand Levers GN 311 (see page )
- Damping Washers GN 7062.30 (see page )

### TECHNICAL INFORMATION

- ISO-Fundamental Tolerances (see page A21)
- Stainless Steel Characteristics (see page A26)





GN 7062.2

STAINLESS STEEL

Description	d <sub>1</sub>	d <sub>2</sub> H10 Bore series	b ±0.2	d <sub>3</sub>	d <sub>4</sub>	d <sub>5</sub>	d <sub>6</sub>	m Bore series	s	x ≈ max. protrusion of cap screw	Adjustable hand lever for d <sub>3</sub>	⚖
GN 7062.2-30-B12-NI-A	30	B 12	11	M 4	4.5	-	-	21	2.1	0.7	GN 311-30-M4-12-SW	38
GN 7062.2-32-B14-NI-A	32	B 14	11	M 4	4.5	-	-	23	2.1	0.7	GN 311-30-M4-12-SW	41
GN 7062.2-36-B15-NI-A	36	B 15	13	M 5	5.5	-	-	25.5	2.1	1.4	GN 311-30-M5-13-SW	62
GN 7062.2-36-B16-NI-A	36	B 16	13	M 5	5.5	-	-	26	2.1	1.4	GN 311-30-M5-13-SW	61
GN 7062.2-42-B18-NI-A	42	B 18	15	M 5	5.5	-	-	30	3	0.6	GN 311-30-M5-15-SW	97
GN 7062.2-42-B20-NI-A	42	B 20	15	M 5	5.5	-	-	31	3	0.6	GN 311-30-M5-15-SW	99
GN 7062.2-48-B22-NI-A	48	B 22	15	M 5	6.5	-	-	35	3	0	GN 311-45-M5-16-SW	123
GN 7062.2-48-B25-NI-A	48	B 25	15	M 5	6.5	-	-	36.5	3	0	GN 311-45-M5-16-SW	112
GN 7062.2-55-B28-NI-A	55	B 28	15	M 6	6.5	-	-	41.5	3	0.5	GN 311-45-M6-18-SW	155
GN 7062.2-55-B30-NI-A	55	B 30	15	M 6	6.5	-	-	42.5	3	0.5	GN 311-45-M6-18-SW	145
GN 7062.2-60-B32-NI-A	60	B 32	15	M 6	6.5	-	-	46	4	0.4	GN 311-45-M6-19-SW	190
GN 7062.2-60-B35-NI-A	60	B 35	15	M 6	6.5	-	-	47.5	4	0.4	GN 311-45-M6-19-SW	160
GN 7062.2-65-B40-NI-A	65	B 40	15	M 6	6.5	-	-	52.5	4	0.5	GN 311-45-M6-20-SW	181
GN 7062.2-30-B12-NI-B	30	B 12	11	M 4	-	3.5	-	21	2.1	0.7	GN 311-30-M4-12-SW	37
GN 7062.2-32-B14-NI-B	32	B 14	11	M 4	-	3.5	-	23	2.1	0.7	GN 311-30-M4-12-SW	44
GN 7062.2-36-B15-NI-B	36	B 15	13	M 5	-	4.5	-	25.5	2.1	1.4	GN 311-30-M5-13-SW	61
GN 7062.2-36-B16-NI-B	36	B 16	13	M 5	-	4.5	-	26	2.1	1.4	GN 311-30-M5-13-SW	60
GN 7062.2-42-B18-NI-B	42	B 18	15	M 5	-	4.5	-	30	3	0.6	GN 311-30-M5-15-SW	97
GN 7062.2-42-B20-NI-B	42	B 20	15	M 5	-	4.5	-	31	3	0.6	GN 311-30-M5-15-SW	90
GN 7062.2-48-B22-NI-B	48	B 22	15	M 5	-	5.5	-	35	3	0	GN 311-45-M5-16-SW	122
GN 7062.2-48-B25-NI-B	48	B 25	15	M 5	-	5.5	-	36.5	3	0	GN 311-45-M5-16-SW	111
GN 7062.2-55-B28-NI-B	55	B 28	15	M 6	-	5.5	-	41.5	3	0.5	GN 311-45-M6-18-SW	154
GN 7062.2-55-B30-NI-B	55	B 30	15	M 6	-	5.5	-	42.5	3	0.5	GN 311-45-M6-18-SW	144
GN 7062.2-60-B32-NI-B	60	B 32	15	M 6	-	5.5	-	46	4	0.4	GN 311-45-M6-19-SW	198
GN 7062.2-60-B35-NI-B	60	B 35	15	M 6	-	5.5	-	47.5	4	0.4	GN 311-45-M6-19-SW	160
GN 7062.2-65-B40-NI-B	65	B 40	15	M 6	-	5.5	-	52.5	4	0.5	GN 311-45-M6-20-SW	179
GN 7062.2-30-B12-NI-C	30	B 12	11	M 4	-	-	M 4	21	2.1	0.7	GN 311-30-M4-12-SW	38
GN 7062.2-32-B14-NI-C	32	B 14	11	M 4	-	-	M 4	23	2.1	0.7	GN 311-30-M4-12-SW	45
GN 7062.2-36-B15-NI-C	36	B 15	13	M 5	-	-	M 5	25.5	2.1	1.4	GN 311-30-M5-13-SW	69
GN 7062.2-36-B16-NI-C	36	B 16	13	M 5	-	-	M 5	26	2.1	1.4	GN 311-30-M5-13-SW	68
GN 7062.2-42-B18-NI-C	42	B 18	15	M 5	-	-	M 5	30	3	0.6	GN 311-30-M5-15-SW	98
GN 7062.2-42-B20-NI-C	42	B 20	15	M 5	-	-	M 5	31	3	0.6	GN 311-30-M5-15-SW	93
GN 7062.2-48-B22-NI-C	48	B 22	15	M 5	-	-	M 6	35	3	0	GN 311-45-M5-16-SW	125
GN 7062.2-48-B25-NI-C	48	B 25	15	M 5	-	-	M 6	36.5	3	0	GN 311-45-M5-16-SW	114
GN 7062.2-55-B28-NI-C	55	B 28	15	M 6	-	-	M 6	41.5	3	0.5	GN 311-45-M6-18-SW	146
GN 7062.2-55-B30-NI-C	55	B 30	15	M 6	-	-	M 6	42.5	3	0.5	GN 311-45-M6-18-SW	146
GN 7062.2-60-B32-NI-C	60	B 32	15	M 6	-	-	M 6	46	4	0.4	GN 311-45-M6-19-SW	191
GN 7062.2-60-B35-NI-C	60	B 35	15	M 6	-	-	M 6	47.5	4	0.4	GN 311-45-M6-19-SW	162
GN 7062.2-65-B40-NI-C	65	B 40	15	M 6	-	-	M 6	52.5	4	0.5	GN 311-45-M6-20-SW	184



Machine elements